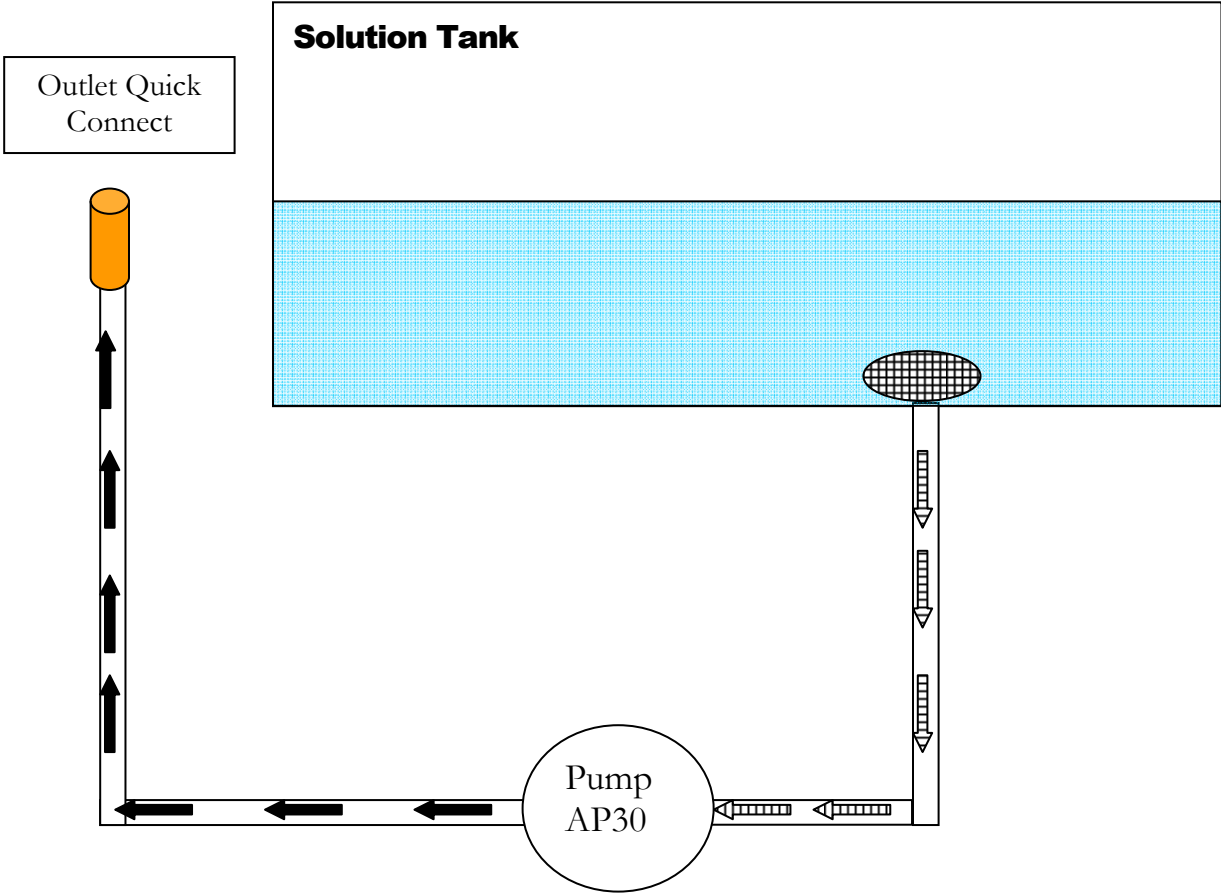
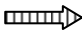


# MA51


## Solution Flow Path



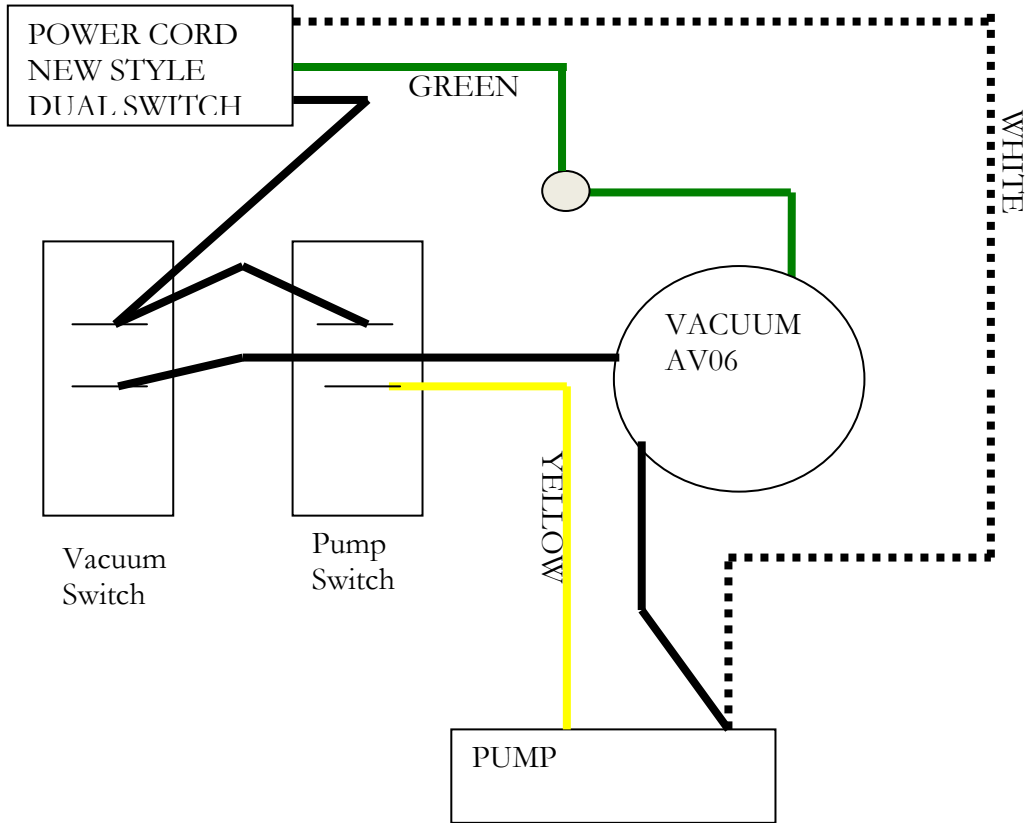
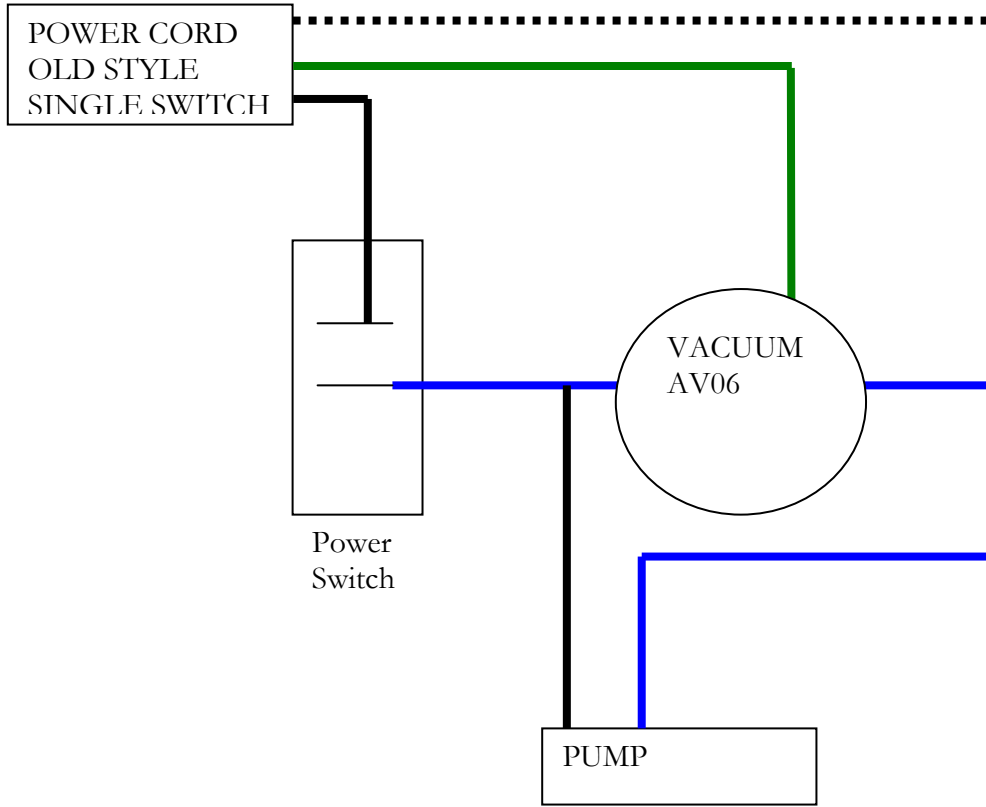
Denotes incoming water flow



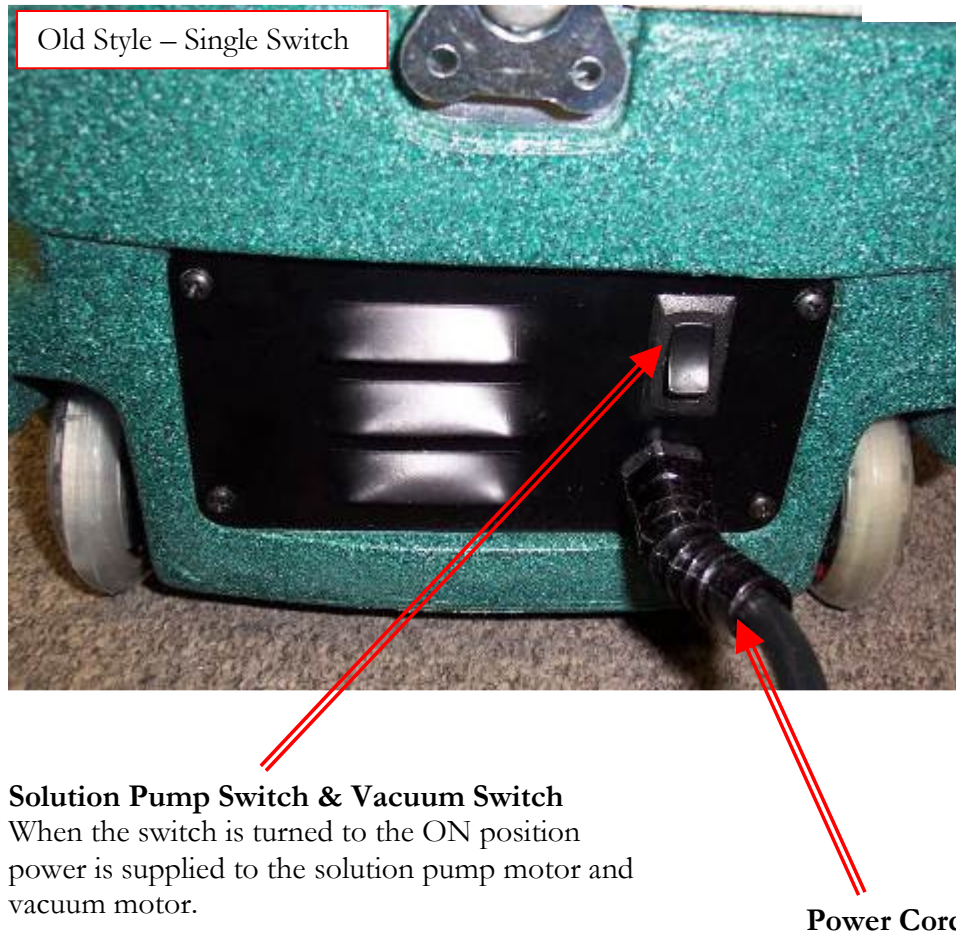
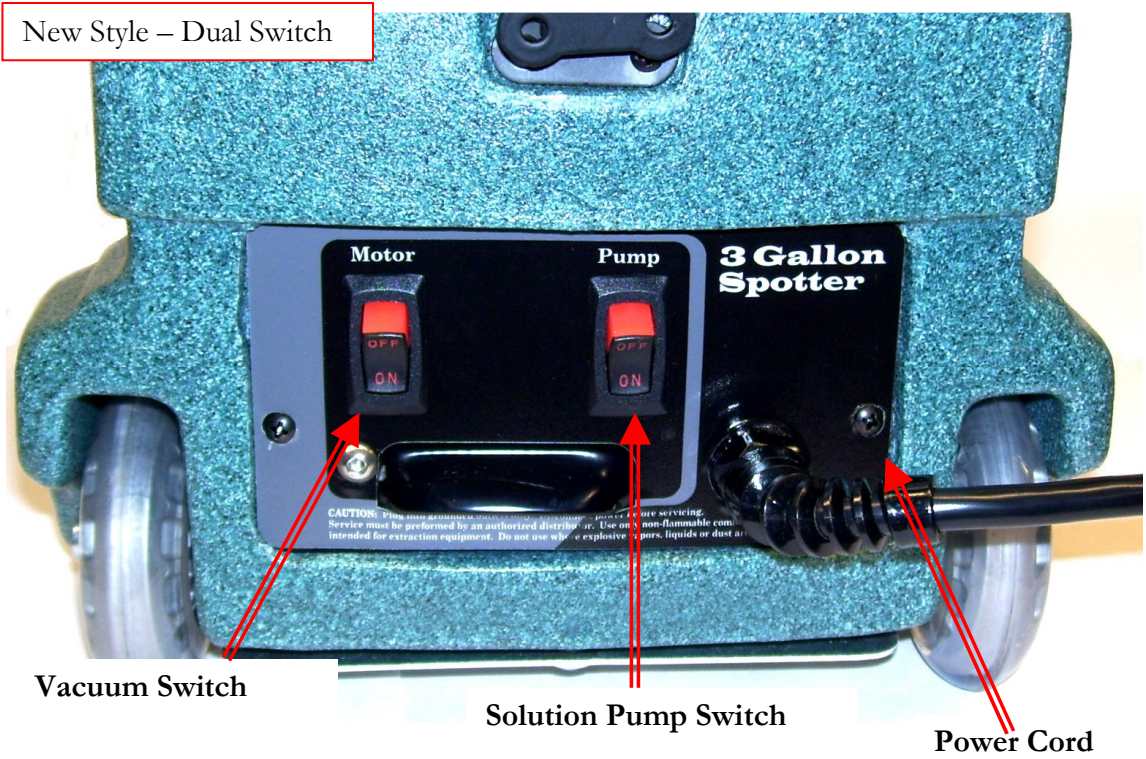
Denotes Water flow in pressure hose



# MA51 Wiring Diagram - Standard



# MA51 STANDARD SWITCH PANEL:



## Parts

*Replacement parts available for repair of your Power X Pro Spot Extractor:*

### **Power X Spotter Pump – AP30**

SOLUTION INLET  
1/8" FPT

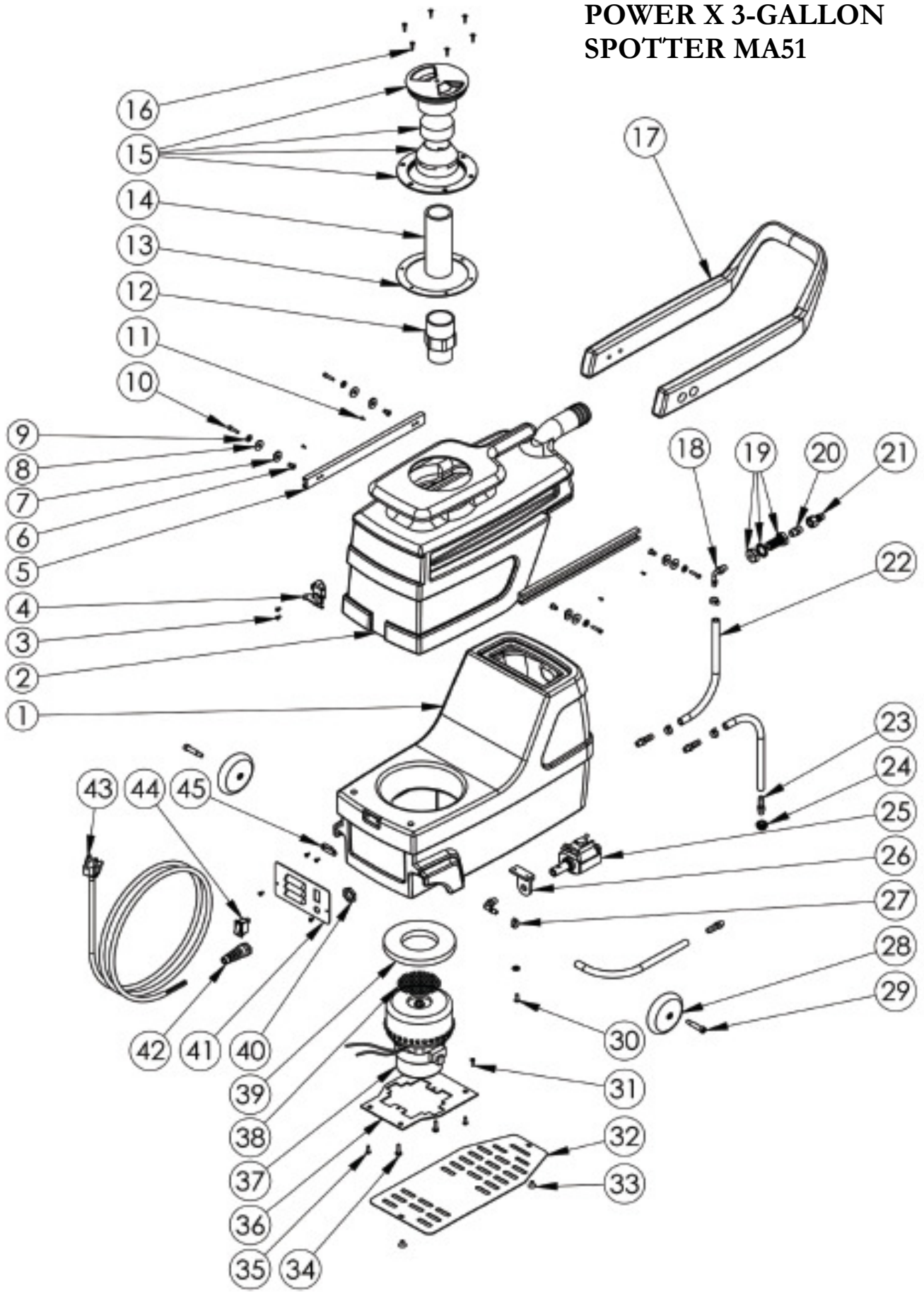
SOLUTION OUTLET  
1/8" FPT



### **Power X Spotter Vacuum Motor – AV06**



# POWER X 3-GALLON SPOTTER MA51





|    | <b>Item #</b> | <b>MA51 Component Description</b>                  | <b>Qty Needed</b> |
|----|---------------|--|-------------------|
| 1  | NM5090-ST     | Solution Tank                                      | 1                 |
| 2  | NM5090-RT     | Recovery Tank                                      | 1                 |
| 3  | 10-0383       | 6/32 x ¼ Phil Pan Blk Screw (Latch & Switch Plate) | 6                 |
| 4  | 10-0400-D     | Latch  | 1                 |
| 5  | 10-0412       | C Channel For Spotter                              | 2                 |
| 6  | 10-0414       | Rivet For Spotter Handle                           | 4                 |
| 7  | 10-0384       | .125 Thick Nylon Washer                            | 4                 |
| 8  | 10-0385       | .06 Thick Nylon Washer                             | 4                 |
| 9  | NM5032        | Flat Washer #8 SAE                                 | 5                 |
| 10 | 10-0216       | Allen Head Screw                                   | 4                 |
| 11 | 10-0379       | 8-32 x 3/8" Screw                                  | 4                 |
| 12 | 10-0405       | 1½" PVC SCH40 Slip Thread                          | 1                 |
| 13 | 10-0302-A     | Gasket Tank Lid                                    | 1                 |
| 14 | 10-0416-A     | ABS Stand Pipe Black 1½"                           | 1                 |
| 15 | 10-0304       | Spotter, Hatch, Cap, Filter and Float Assembly     | 1                 |
| 16 | 10-0419       | Screw For Spotter Hatch                            | 6                 |
| 17 | SP-3-H-BLK    | Handle - Black                                     | 1                 |
|    | NM5090-HANDLE | Handle Assembly (Includes hardware)                | 1                 |
| 18 | 10-0406       | Nylon Barb 90 1/8 NPT ¼                            | 2                 |
| 19 | PP11-800091   | 1/8" NPT Bulkhead Fitting (80-0017-2)              | 1                 |
| 20 | BR130         | Nipple Reducing 1/4" x 1/8" Hex                    | 1                 |
| 21 | AH102B        | Quick Connect 1/4" Male                            | 1                 |
| 22 | 10-0434       | Threaded Hose for Spotter                          | 2.5               |
| 23 | NA0839        | Barb Nylon Straight 1/8 NPT X                      | 4                 |
| 24 | NA0840        | 1/8" Strainer for Spotter                          | 1                 |
| 25 | AP30          | Pump For Spotter                                   | 1                 |
| 26 | 10-0301       | L Bracket For Spotter                              | 1                 |
| 27 | 10-0435       | Oetiker Clamp                                      | 5                 |
| 28 | 10-0303       | Roller Blade Wheel                                 | 2                 |
| 29 | 10-0387       | 5/16 x 1" Socket Head Bolt (For Wheels)            | 2                 |
| 30 | 10-0022       | Screw  | 1                 |
| 31 | 10-0017       | Deflector Screw                                    | 1                 |
| 32 | 10-1028       | Bottom Base Plate for Spotter                      | 1                 |
| 33 | 10-0492       | Screw for Bottom Plate                             | 2                 |
| 34 | 10-0014       | Motor Mount Screws                                 | 2                 |
| 35 | 10-0380       | Vac Motor Plate Screw 10-32 x 3/8"                 | 2                 |
| 36 | 10-1024       | Vac Motor Mounting Plate                           | 1                 |
| 37 | AV06          | Vacuum Motor                                       | 1                 |
| 38 | 10-0386       | Stamped Motor Screen                               | 1                 |
| 39 | PS10-1030     | Spotter Motor Gasket                               | 1                 |
| 40 | 10-0027-A     | Strain Relief Nut For Spotter                      | 1                 |
| 41 | 10-1025       | Back Switch Plate (no heater)                      | 1                 |
| 42 | 10-0027       | Pigtail Strain Relief Spotter                      | 1                 |
| 43 | 10-0448-B     | 20 Ft. Spotter/Air Mover Cord                      | 1                 |
| 44 | PDRIO1        | On/Off Rocker Switch                               | 2                 |
| 45 | 10-0400-C     | Latch Keeper 10-0400-C                             | 1                 |
|    | NM4061        | SCREW 10-32 X 1/2" BHSOC SS                        | 1                 |
|    | NM4081        | NUT 10-32 NYLOCK SS                                | 1                 |

# MA51

1/4" NYLON BARB X 1/8" MPT  
NA0839

1/8" HEX NIPPLE  
BR070

PUMP  
AP30

1/4" ID THREADED HOSE  
10-0434

SCREW VAC MOTOR MOUNT (QTY 2)  
10-0014

1/4" NYLON BARB/ ELBOW - 1/8" MPT  
10-0406

VACUUM MOTOR  
AV06

WHEELS (QTY 2)  
10-0303

SCREW 5/16 X 1" SOC HD  
FOR WHEEL MOUNT  
10-0387 (QTY 2)

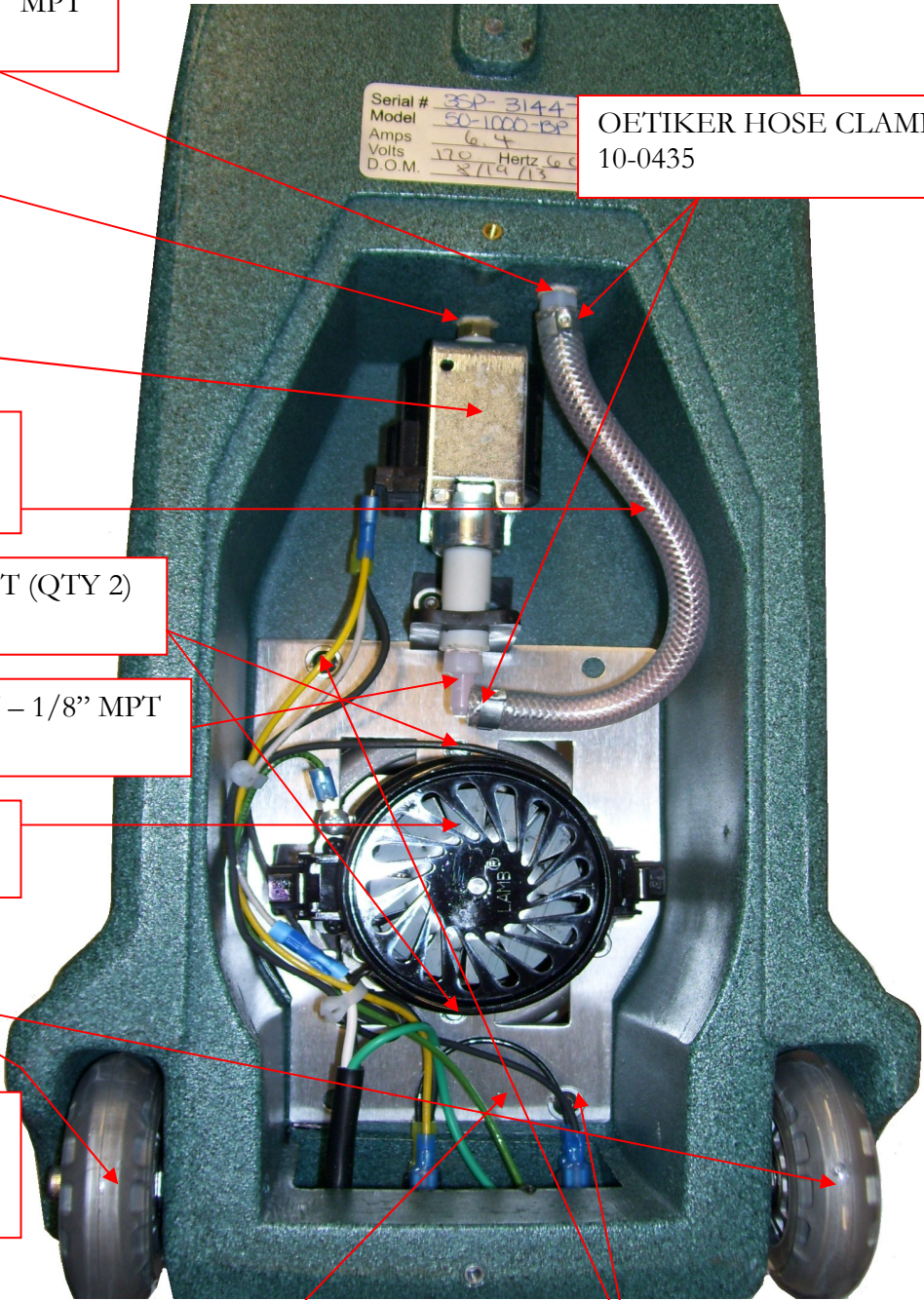
PLATE VAC MOTOR MOUNT  
10-1024

SCREW VAC MOUNT PLATE (QTY 2)  
10-0380

VACUUM GASKET  
PS10-1030

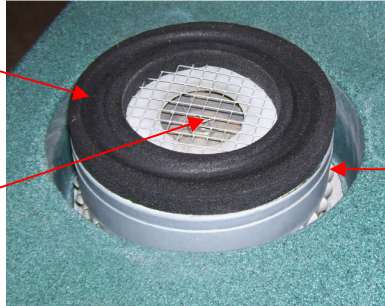
VACUUM SCREEN  
10-0386

VACUUM MOTOR  
AV06



Serial # 35P-3144  
Model 50-1000-BP  
Amps 6.4  
Volts 120 Hertz 60  
D.O.M. 8/19/13

OETIKER HOSE CLAMP  
10-0435





# MA51

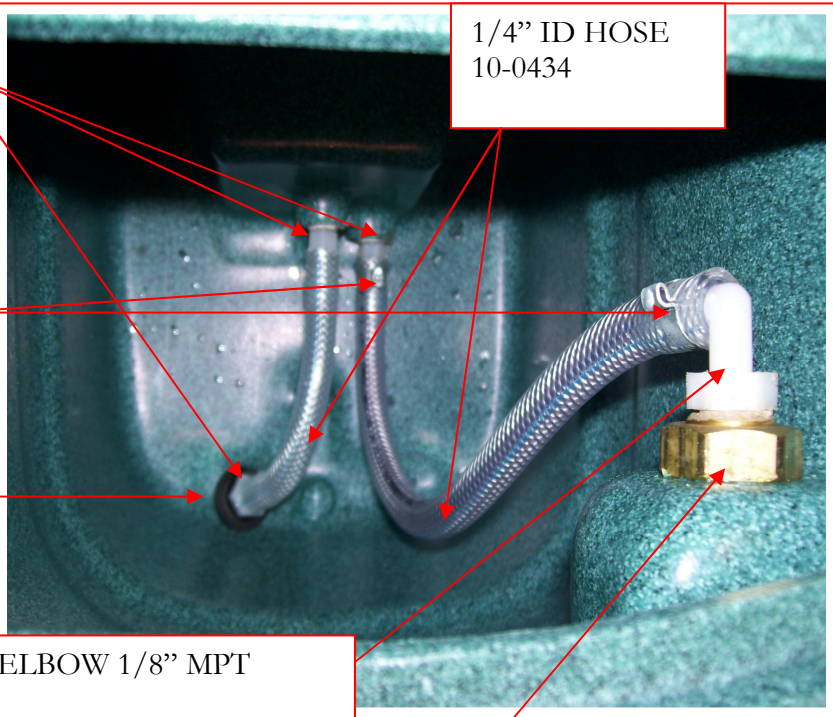
1/4" NYLON BARB X 1/8" MPT  
NA0839

OETIKER HOSE CLAMP  
10-0435

ACORN STRAINER  
NA0840

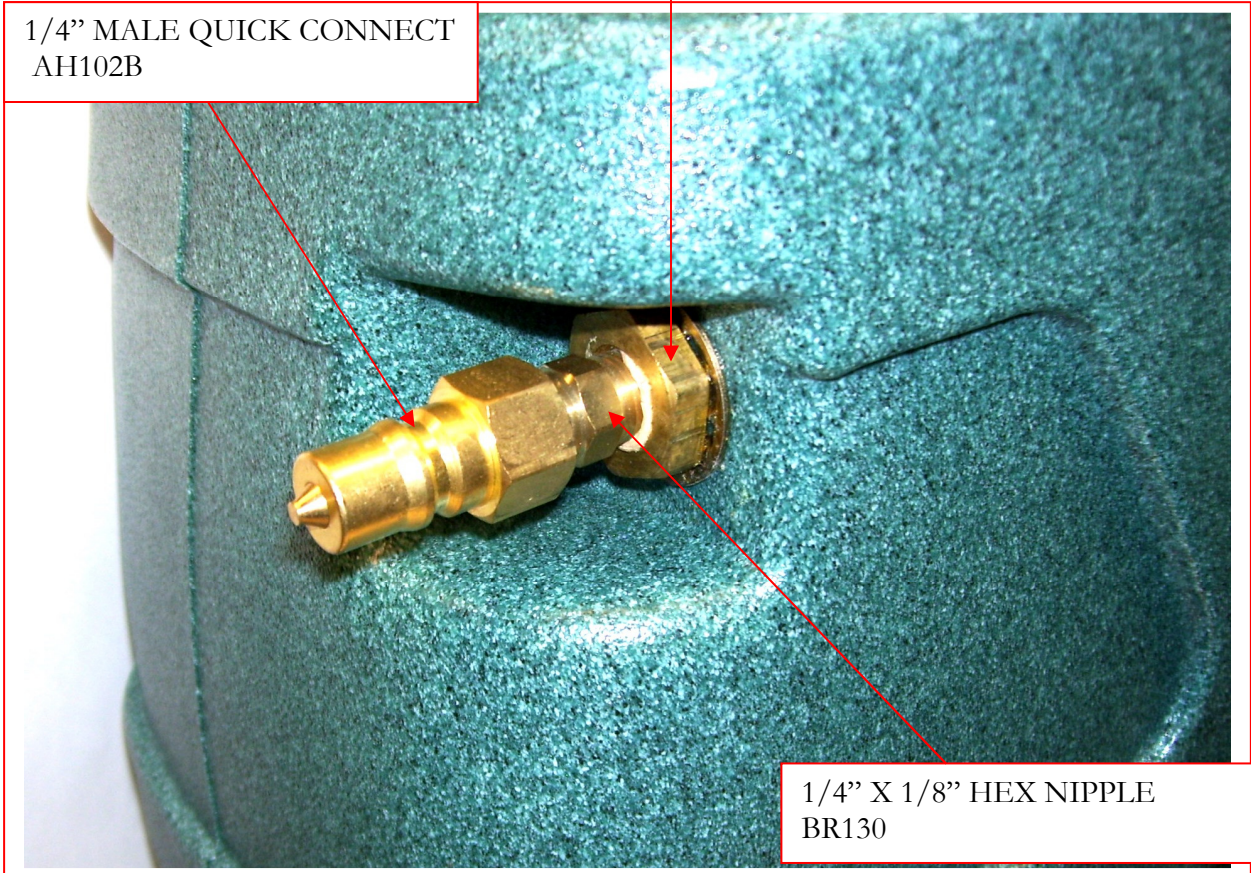
1/4" NYLON BARB/ ELBOW 1/8" MPT  
10-0406

1/4" ID HOSE  
10-0434



1/8" NPT BULKHEAD FITTING  
PP11-800091

1/4" MALE QUICK CONNECT  
AH102B



1/4" X 1/8" HEX NIPPLE  
BR130



# MA51

VACUUM FILTER



SPOTTER CAP & FILTER  
BOTTOM VIEW  
(Part of 10-0304 Assembly)



SPOTTER HATCH, CAP,  
FILTER & FLOAT ASSEMBLY  
10-0304  
GASKET – 10-0302-A  
SCREWS – 10-0419 (QTY 6)

SPOTTER HANDLE - BLACK  
NM5090-HANDLE



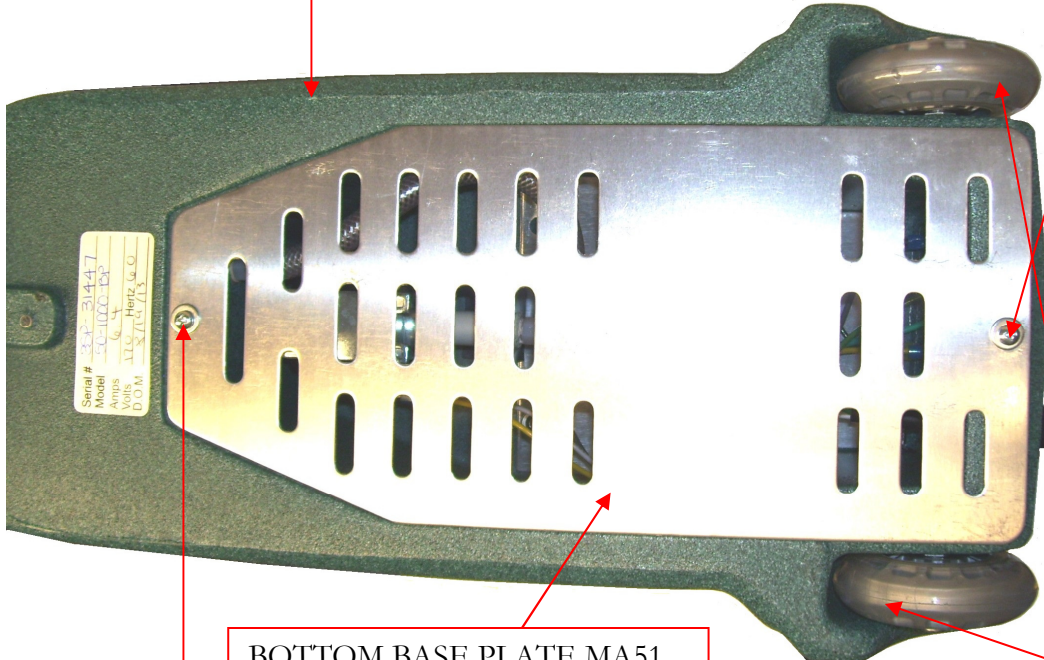
RECOVERY TANK  
NM5090-RT

SOLUTION TANK  
NM5090-ST

SOLUTION TANK  
NM5090-ST

# MA51

SCREW FOR BASE PLATE - 10-0482  
FLAT WASHER – NM5032  
(Old style -4) (New Style – 2)



BOTTOM BASE PLATE MA51  
New Style 10-1028

WHEELS (QTY 2)  
10-0303  
SCREWS – 10-0387

SCREW FOR BASE PLATE - 10-0482  
FLAT WASHER – NM5032  
(Old style -4) (New Style – 2)

LATCH  
10-0400D  
SCREWS  
10-0383 (QTY 2)

LATCH KEEPER  
10-0400C  
SCREWS  
10-0383 (QTY 2)

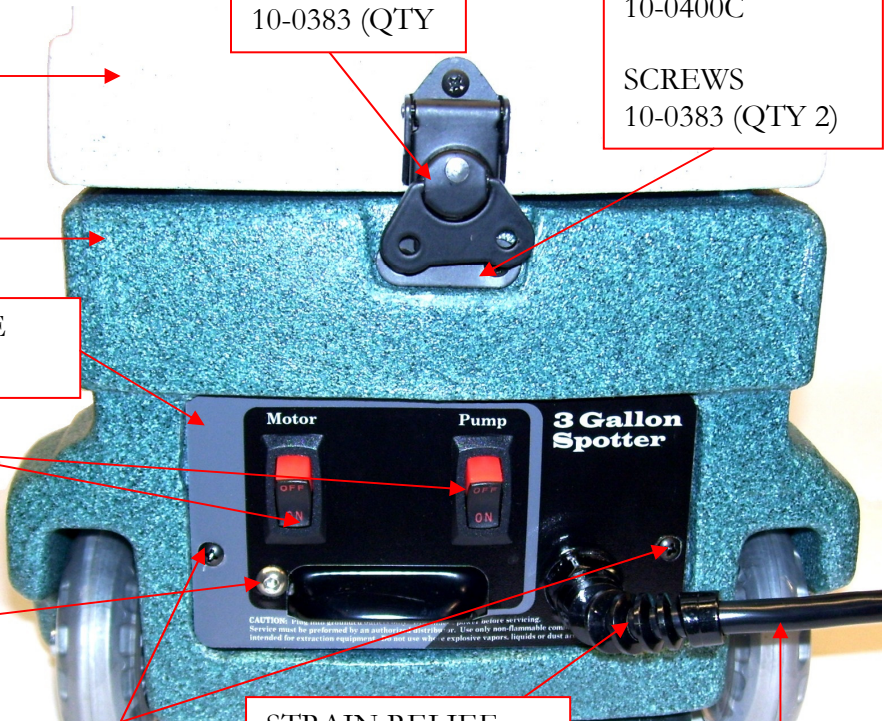
RECOVERY TANK  
NM5090-RT

SOLUTION TANK  
NM5090-ST

MA51 BACK / SWITCH PLATE  
10-1025

SWITCH  
PDRI01

GROUND SCREW  
NM4061  
NUT – NM4081



SCREW 6-32 X 1/4"  
10-0383 - (Old style -4) (New Style – 2)

STRAIN RELIEF  
10-0027  
NUT – 10-0027-A

POWER CORD  
10-0448-B